

快速入门指南 Quick Start Guide

BMHOLLY

STEP1

遥控器安装电池

Install Battery into transmitter

STEP2

车子电池充电

Charging the battery of car

充电器使用说明

Charger user manual

- 1.支持QC 15W高效快充
- 2.自带平衡充电功能
- 3.输入过压、欠压保护
- 4.输出过流、过压、短路保护
- 5.充电电流1A

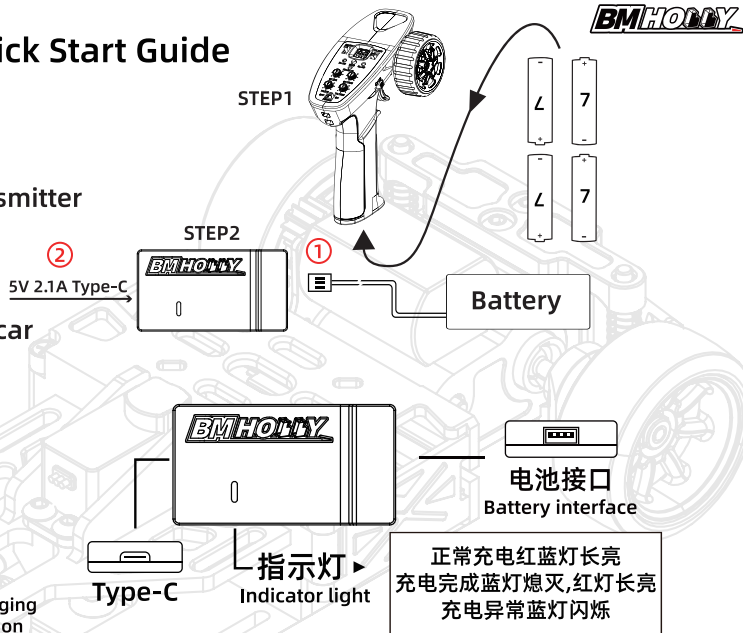
1. Accept QC 15W efficient fast charging
2. Built-in balanced charging function
3. Input overvoltage and undervoltage protection
4. Output overcurrent, overvoltage and short circuit protection
5. Charging current 1A

充电步骤:

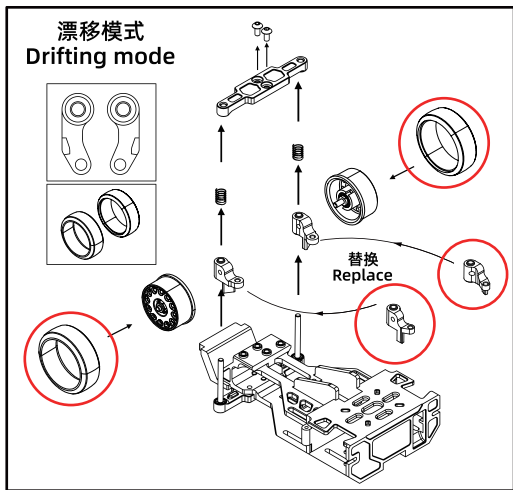
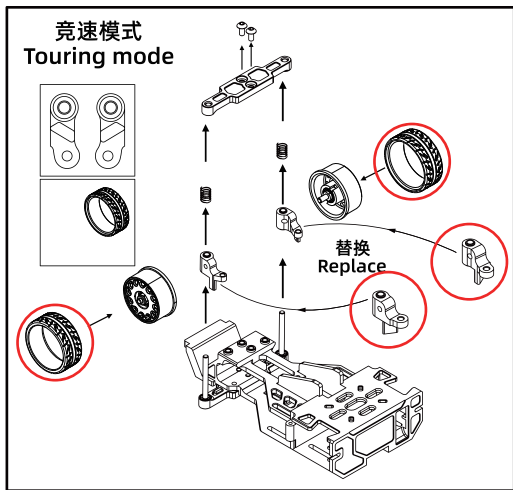
- 1.先将电池插在充电器上
 - 2.接入快充TypeC接口（支持所有品牌Type C快充协议）
- *如遇到蓝灯闪烁，重新拔插TypeC口即可，无需拔电池

Charging steps:

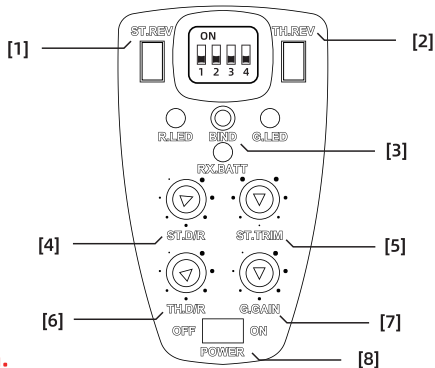
1. Plug the battery into the charger first
 2. Connect to the fast charging Type C socket (Supports all brands of Type C fast charging protocols)
- *If the blue light flashes, Please unplug and plug the Type C socket again, no need to unplug the battery



快速入门指南 Quick Start Guide



ST.REV [1] Steering(forward and reverse)	方向正反 对频 Binding	TH.REV [2] Throttle(forward and reverse)	油门正反
ST.TRIM [5] Steering Trim	方向中位	ST.D/R [4] Steering Dual Rate	方向舵量
G.GAIN [7] Gyro	陀螺仪	TH.D/R [6] Throttle Dual Rate	油门舵量
		POWER [8] Power Switch	电源开关



**请勿将舵机行程调至最大，否则将引起舵机堵转发生故障
Do not adjust the servo travel to its maximum limit,
as it may cause the servo to stall and result in malfunction.**

组装工具

Assembling Tools



十字螺丝刀 x 1

Phillips Screwdriver

螺母套筒 x 1

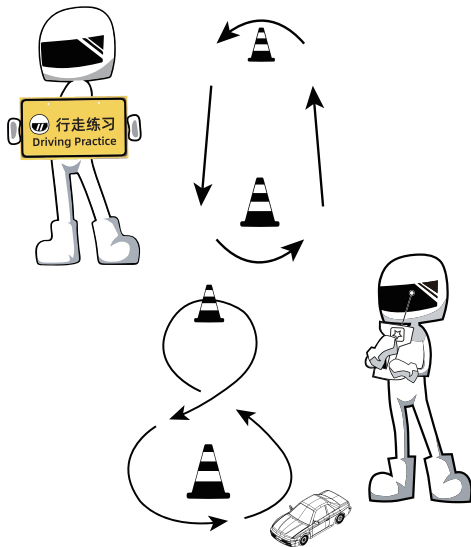
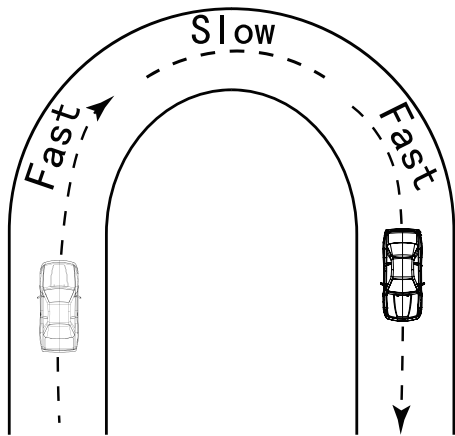
Nut Driver

内六角扳手 x 2

Hex Wrench
[1.3mm、1.5mm]

※ 碳刷马达会随着使用的过程造成碳刷磨损，如发现动力减弱请按需更换。

Brushed motor experience wear and tear on the carbon brushes during use;
if you notice a decrease in power, please replace the motor as needed.



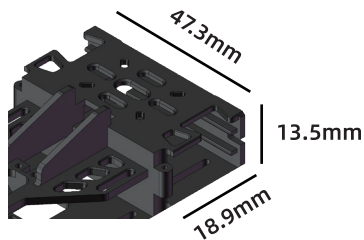
在漂移前请熟练油门和转向配合的操控，
练习入弯减速和出弯恢复车速。

Before drifting please practice at
slow down entering a corner and accelerate
when exiting the corner.

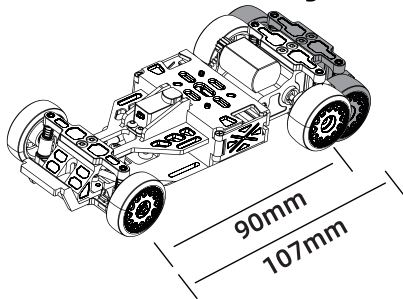
熟练操作后可用障碍物，
进行定圆和8字的漂移练习。

After practiced the throttle training,
you can try practice with
circle drift and figure 8.

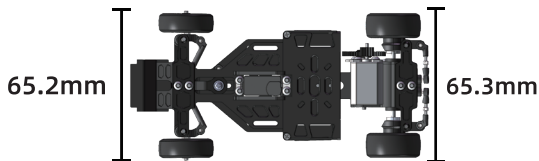
电池仓尺寸 Battery compartment size



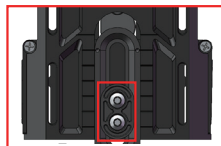
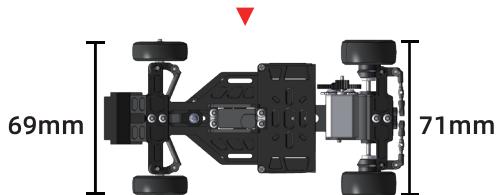
轴距尺寸 Wheelbase Range



轮距尺寸 Track width range



宽阵套件[FLD-1314-W],(套件中不包含需要另购)
Wide Suspension Set [FLD-1314-W], (Not included)



※ 请勿大力锁紧螺丝，谨防滑牙。
Do not tighten the screws too hard to prevent the screws from stripping.

详细说明请下方扫二维码
Please scan the QR code for details



bilibili



YouTube



Facebook



说明书下载

Download the instruction manual
http://bmracing.cc/?page_id=18059