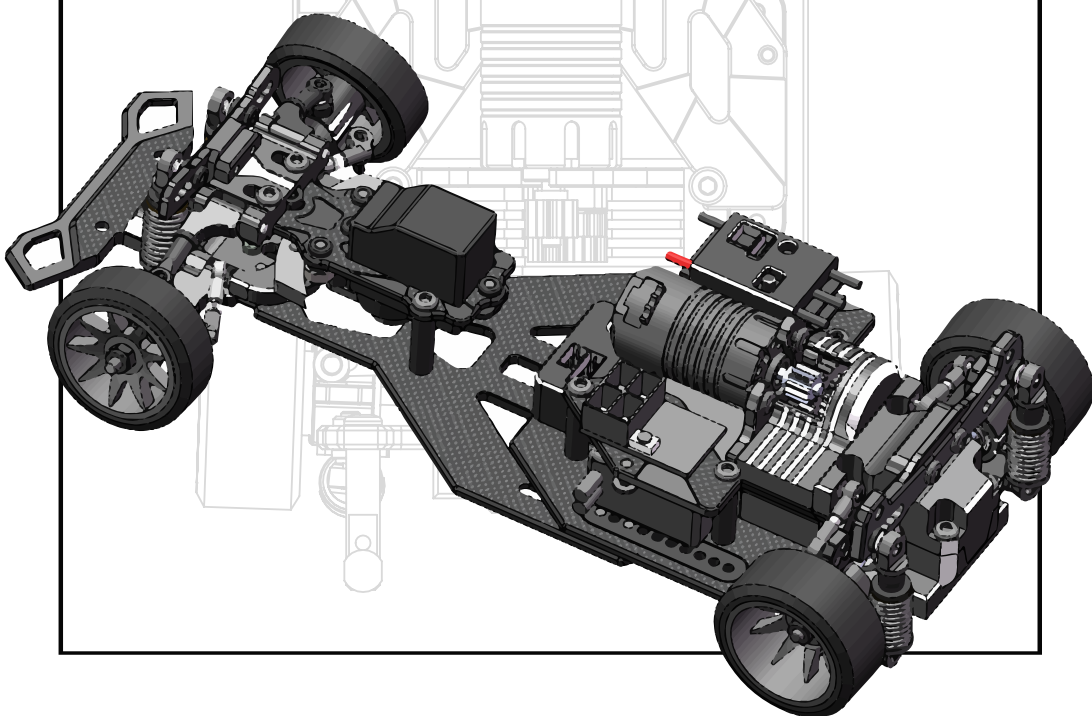
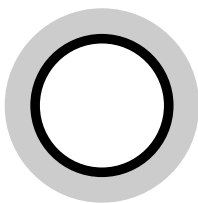




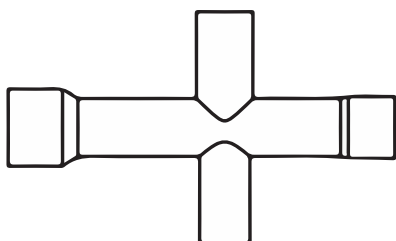
BMR **V**
X **PRO**



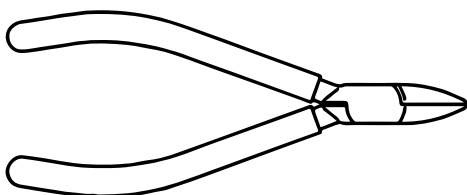
Assembling Tools (not included in kit)



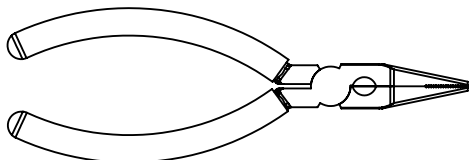
Double Side Tap



Nut Driver (4.0mm)



Side Cutter

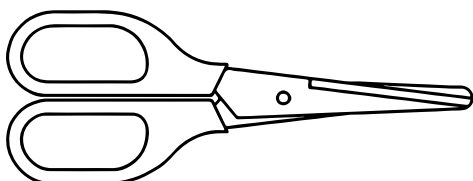


Needle-Nose Pliers

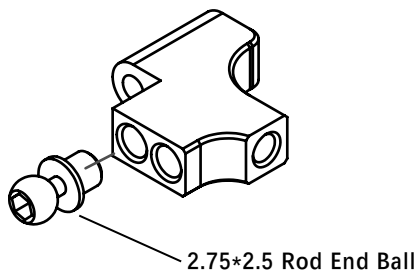









Hex Wrench

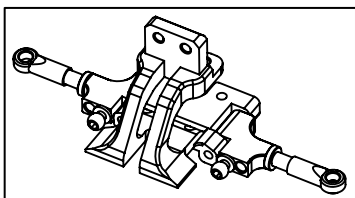
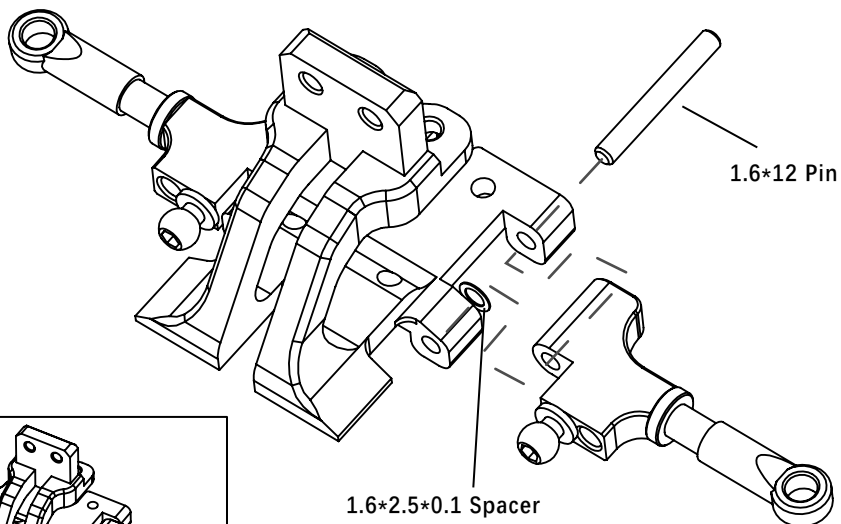
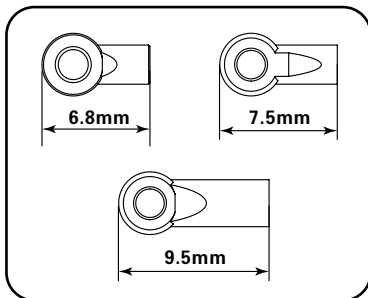
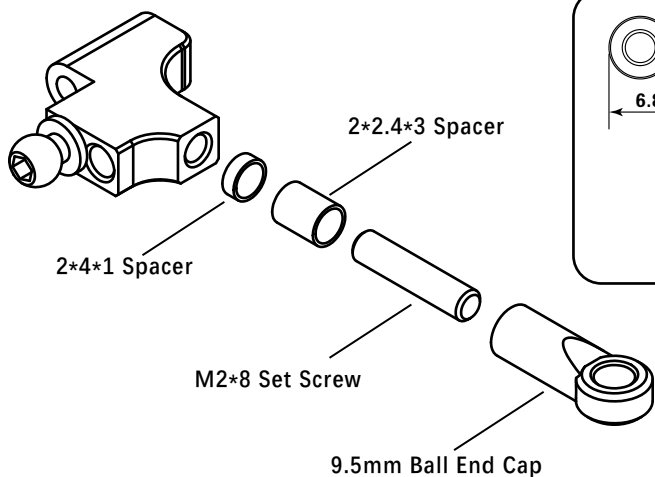
[0.035、0.050 (inch) 、 1.5mm]



Scissors

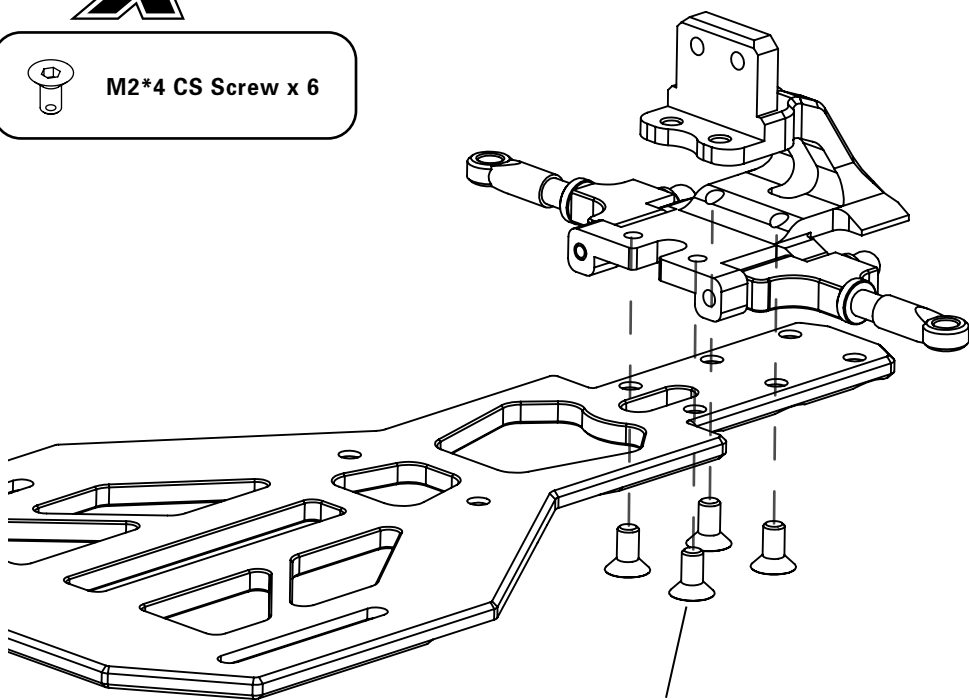


-  2.75*2.5 Rod End Ball x2
-  M2*8 Set Screw x 2
-  9.5mm Ball End Cap x 2
-  1.6*12 Pin x 2
-  2*4*1 Spacer x 2
-  1.6*2.5*0.1 Spacer x2
-  2*2.4*3 Spacer x2

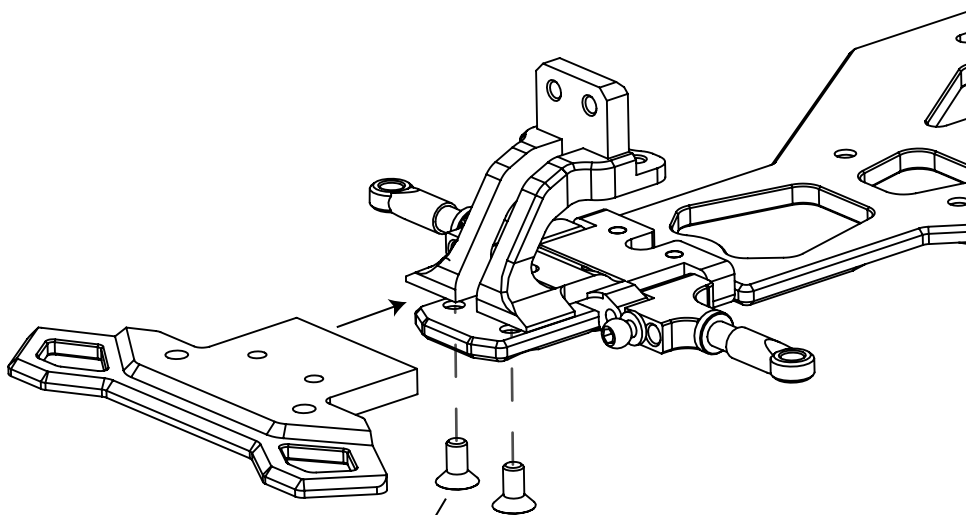




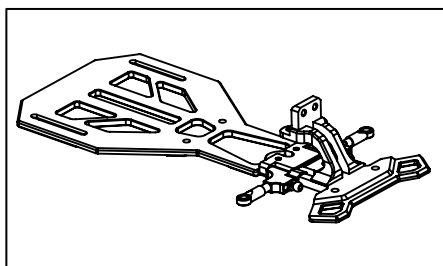
M2*4 CS Screw x 6








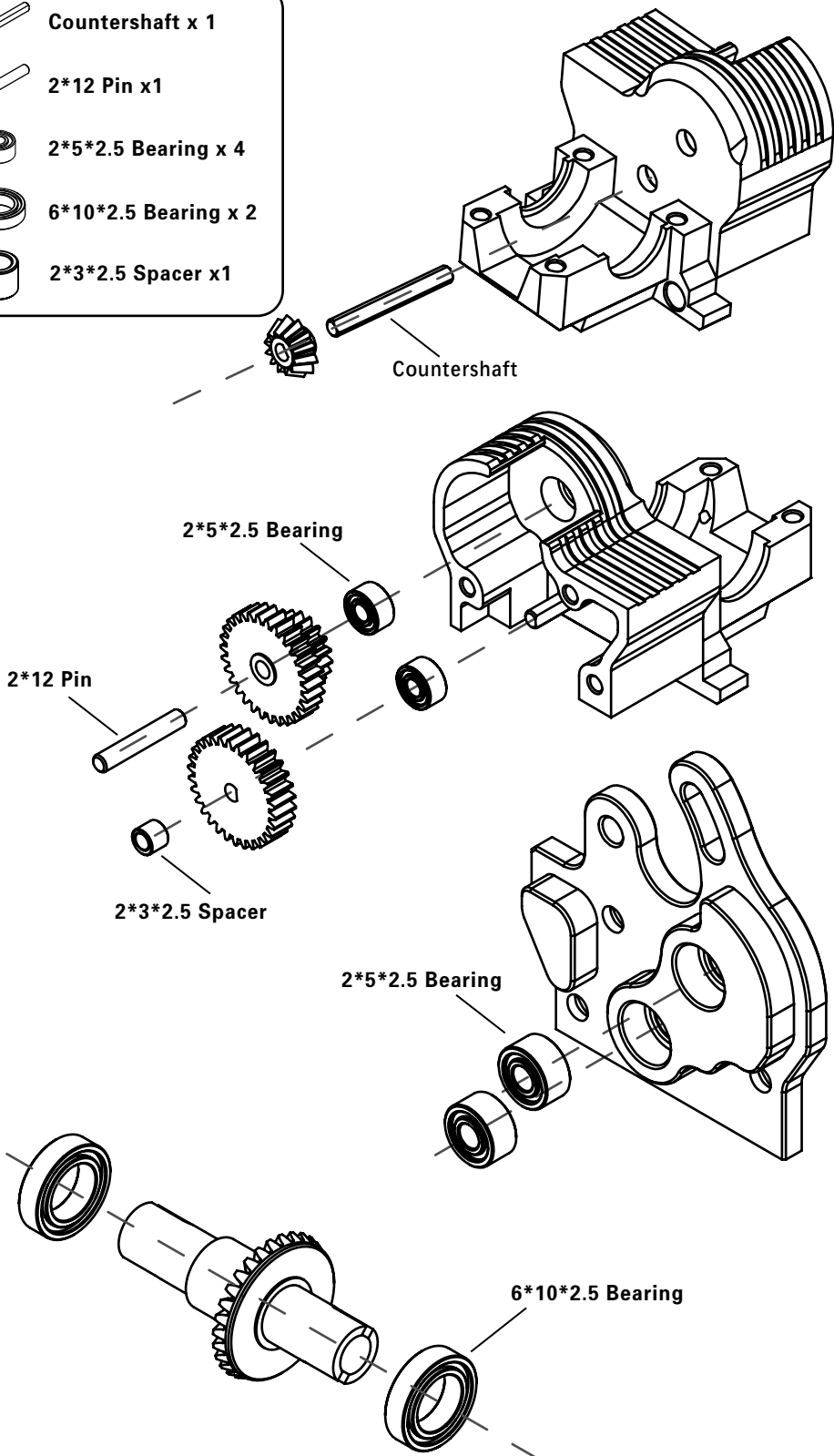
M2*4 CS Screw



M2*4 CS Screw



-  Countershaft x 1
-  2*12 Pin x1
-  2*5*2.5 Bearing x 4
-  6*10*2.5 Bearing x 2
-  2*3*2.5 Spacer x1

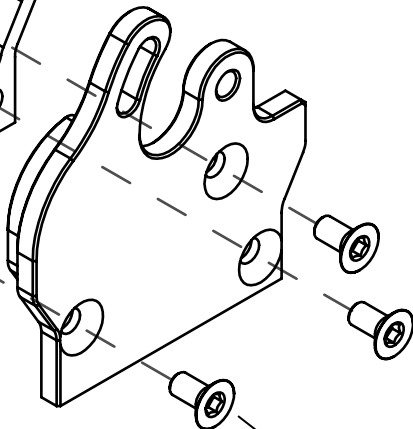
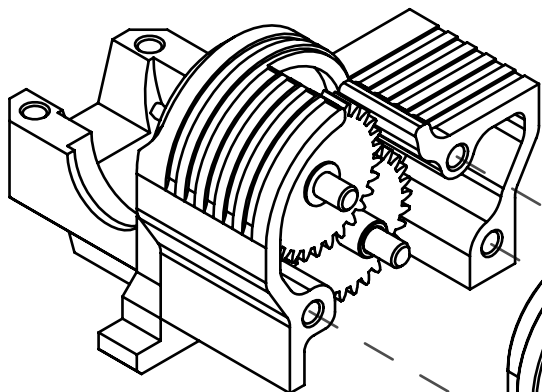




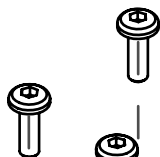
M2*4 CS Screw x 3



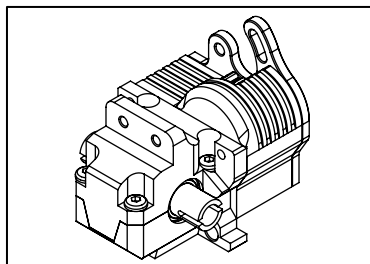
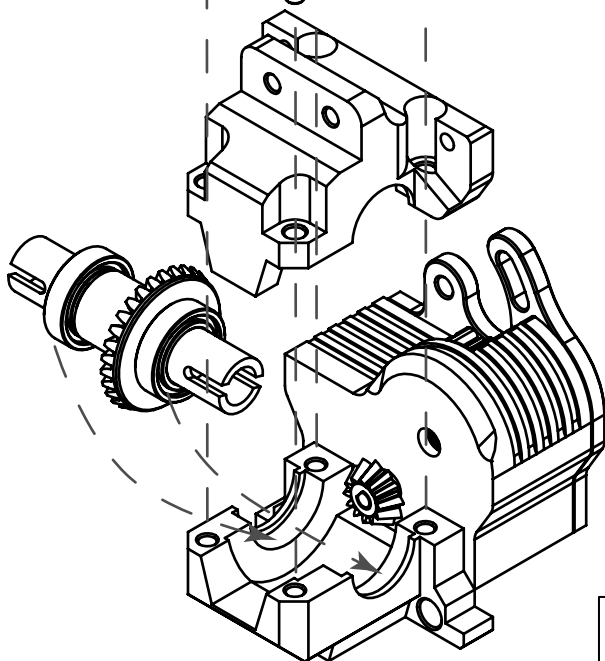
M2*6 RH Screw x 4











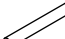


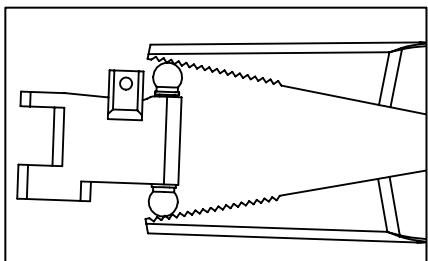
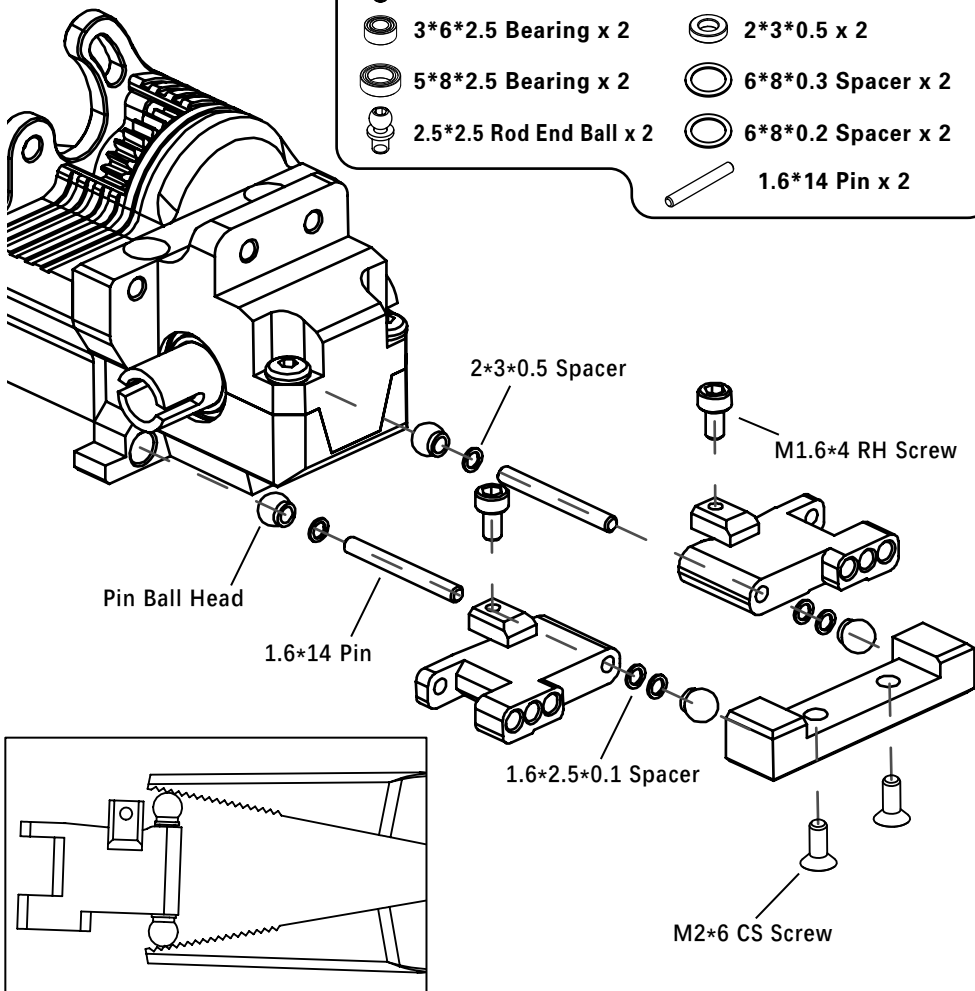
M2*4 CS Screw



M2*6 RH Screw

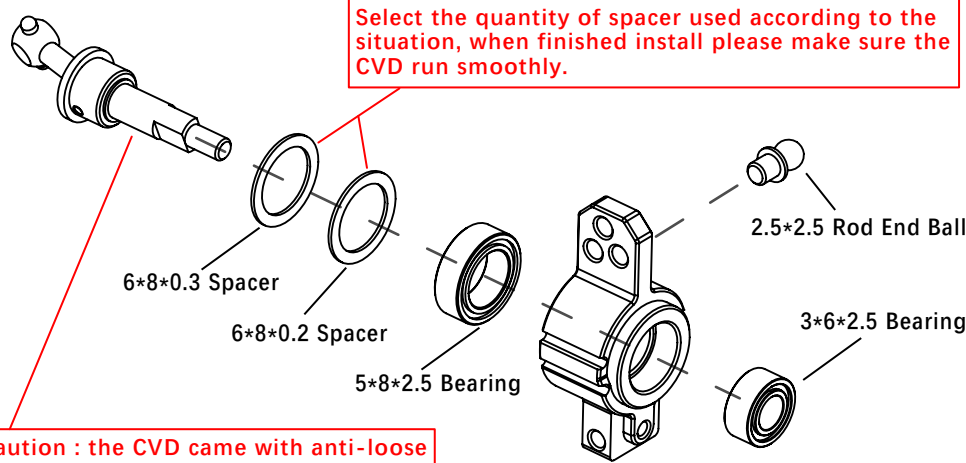


-  M2*6 CS Screw x 2
-  Pin Ball Head x 4
-  M1.6*4 RH Screw x 2
-  1.6*2.5*0.1 Spacer x4
-  3*6*2.5 Bearing x 2
-  2*3*0.5 x 2
-  5*8*2.5 Bearing x 2
-  6*8*0.3 Spacer x 2
-  2.5*2.5 Rod End Ball x 2
-  6*8*0.2 Spacer x 2
-  1.6*14 Pin x 2





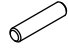






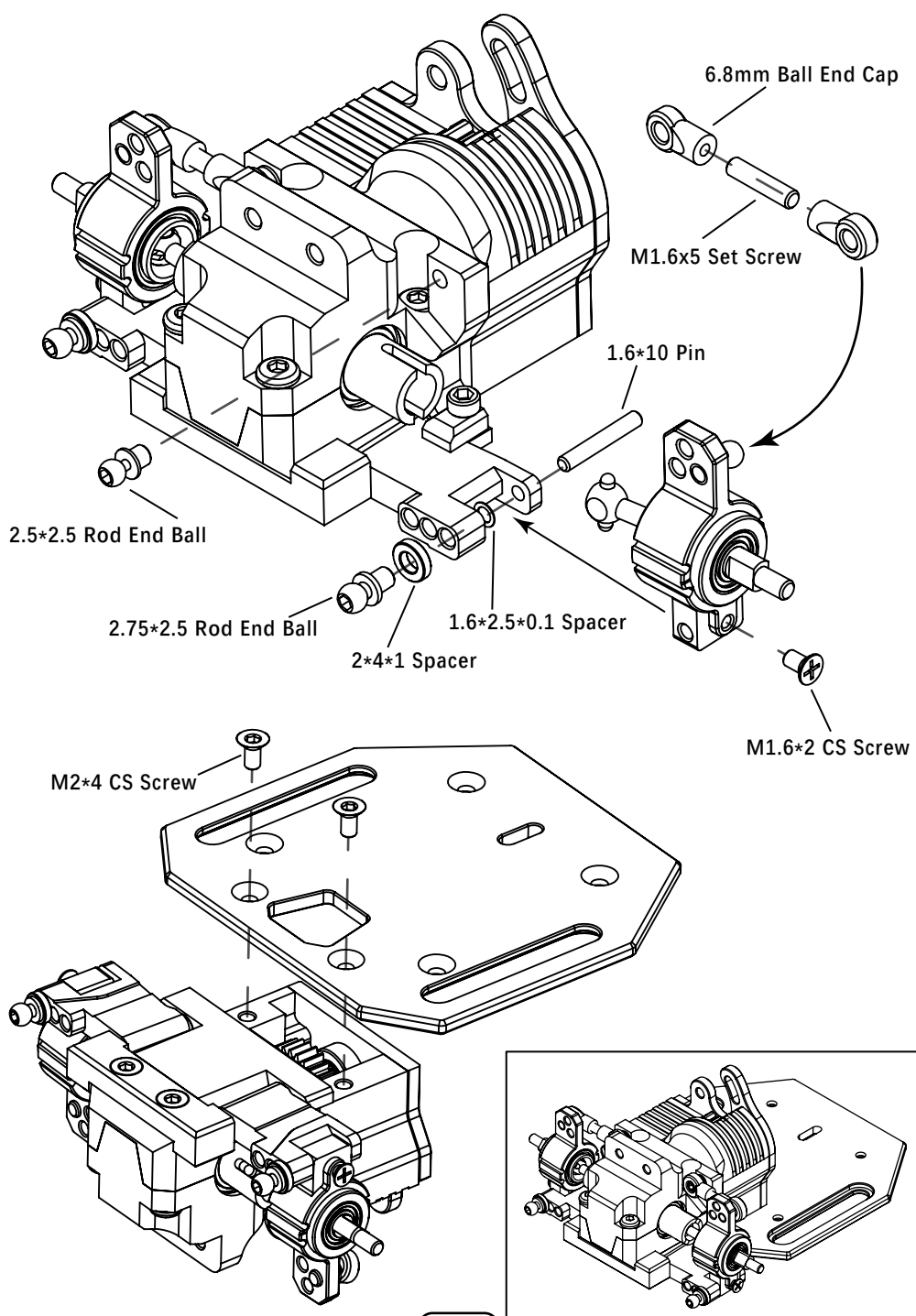
Use the Needle-nose pliers clamp the pin ball head in to the pin.

Select the quantity of spacer used according to the situation, when finished install please make sure the CVD run smoothly.



Caution : the CVD came with anti-loose rubber sleeve, please caution it won't loose out when install the chassis.

- | | | | |
|---|------------------------|---|---------------------------|
|  | M2*4 CS Screw x 2 |  | 6.8mm Ball End Cap x 4 |
|  | M1.6*5 Set Screw x 2 |  | 2.5*2.5 Rod End Ball x 2 |
|  | 1.6*10 Pin x 2 |  | 2.75*2.5 Rod End Ball x 2 |
|  | 1.6*2.5*0.1 Spacer x 2 |  | M1.6*2 CS Screw x 2 |
|  | 2*4*1 Spacer x 2 | | |





2.5*2.5 Rod End Ball x 2



M2*4 RH Screw x 2



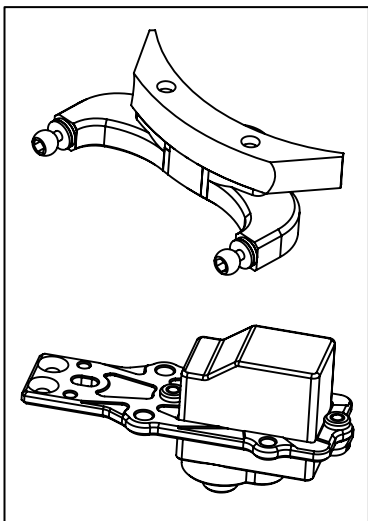
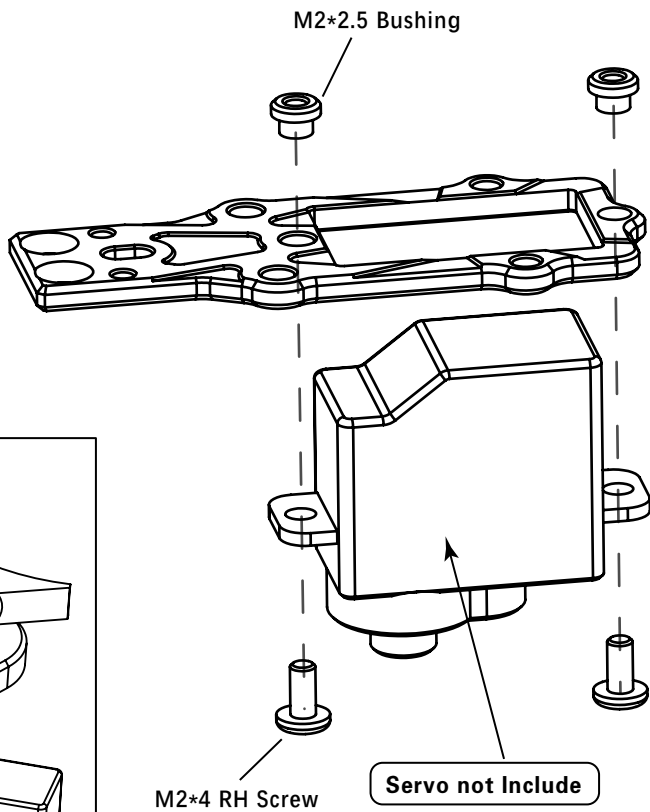
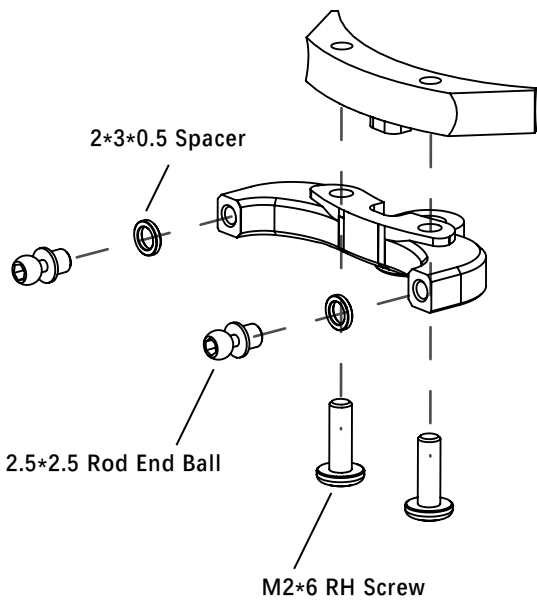
M2*6 RH Screw x 2

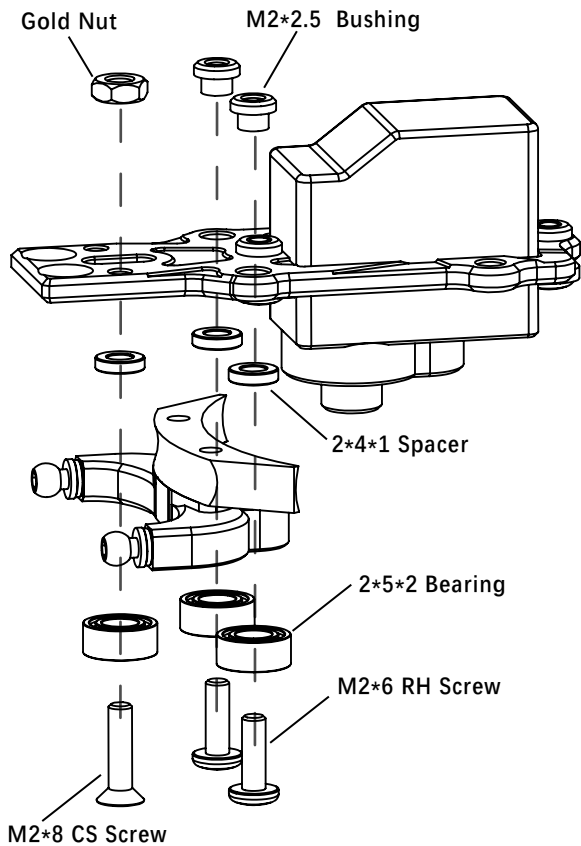


M2*2.5 Bushing x 2

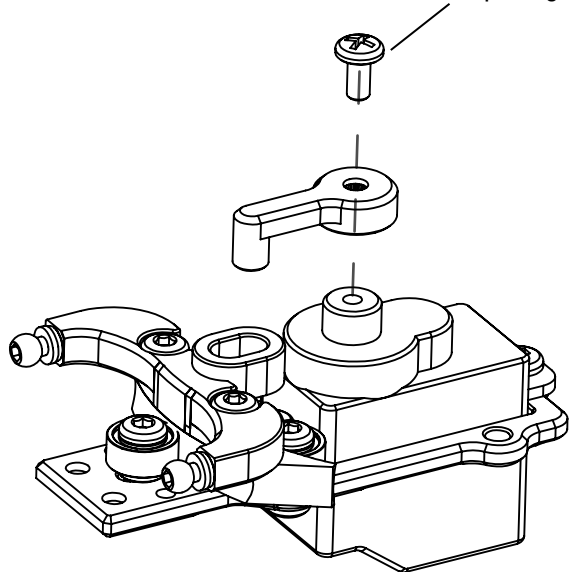




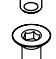
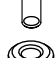
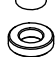

2*3*0.5 Spacer x 2

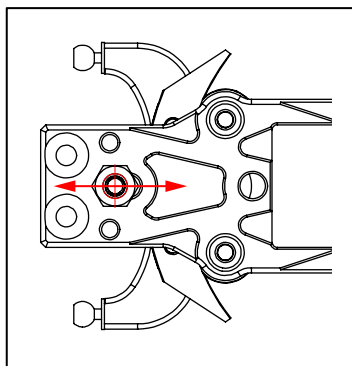




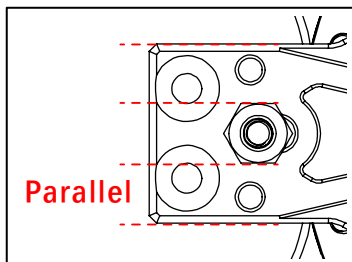
RH screw from the servo package



-  Gold Nut x 1
-  M2*6 RH Screw x 2
-  M2*8 CS Screw x 1
-  M2*2.5 Bushing x 2
-  2*4*1 Spacer x 3
-  2*5*2 Bearing x 3








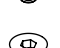



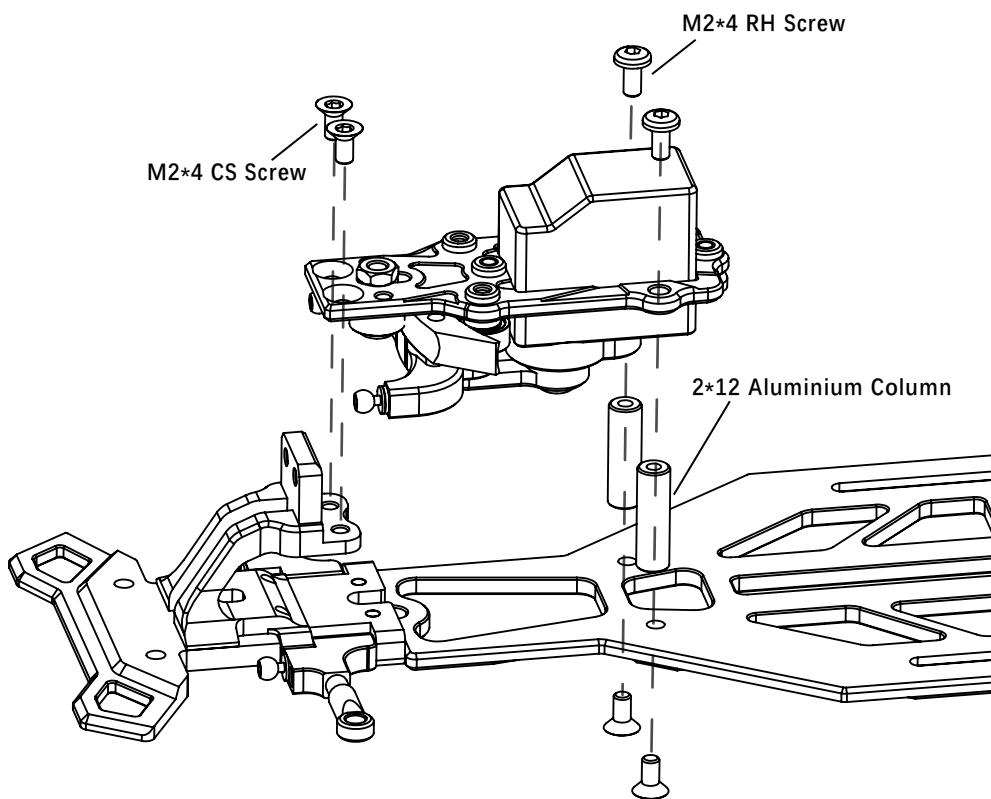
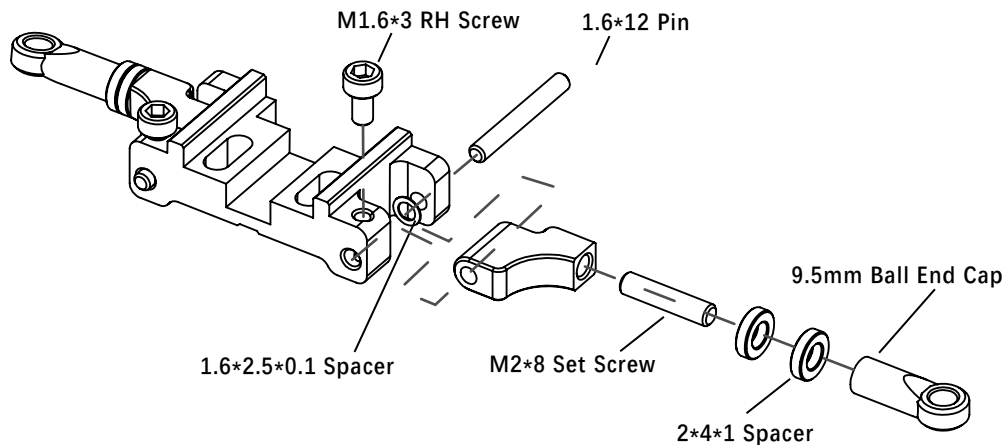
The front bearing of the slide rack can adjustable, control the gap between bearing to the slide rack, when you finished install please make sure the slide rack won't shaking up and down.



Please make sure the direction of the gold nuts are straight with the chassis.

Before install the servo horn to the servo please connect power supply, make sure the servo gear on neutral position.

-  9.5mm Ball End Cap x 4
-  M2*8 Set Screw x 2
-  1.6*12 Pin x 2
-  1.6*2.5*0.1 Spacer x 2
-  2*4*1 Spacer x 4
-  M1.6*3 RH Screw x 2
-  M2*4 RH Screw x 2
-  M2*4 CS Screw x 4
-  2*12 Aluminium Column x 2





3*6*2 Bearing x 4



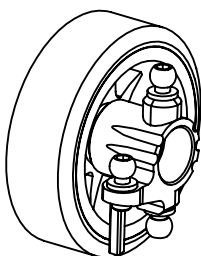
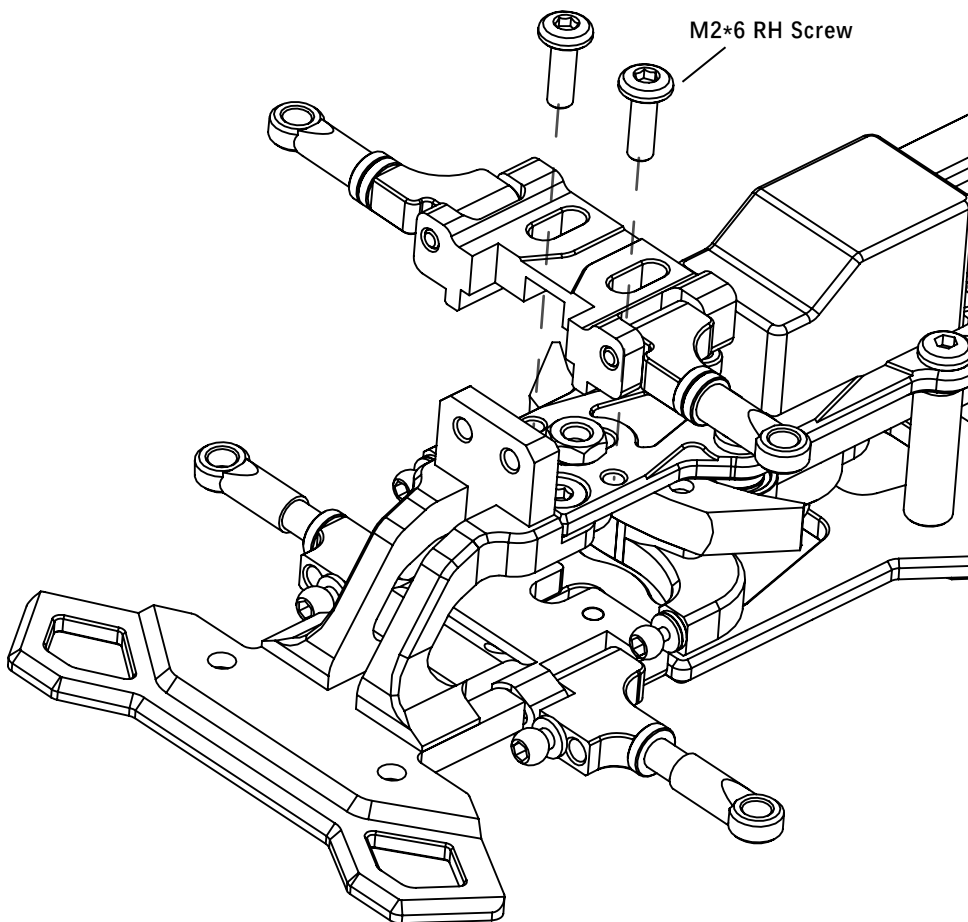
M2*6 RH Screw x 2



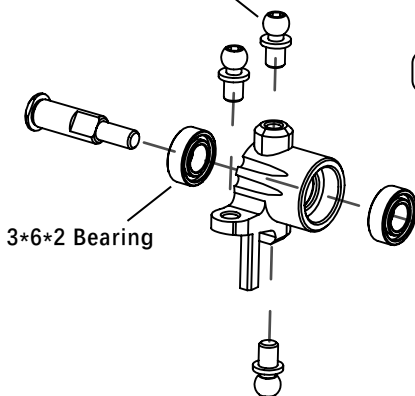
Wheel Nuts x 2



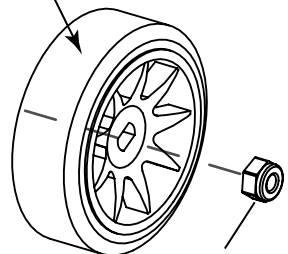
2.5*2.5 Rod End Ball x 6



2.5*2.5 Rod End Ball



Wheel Not Include





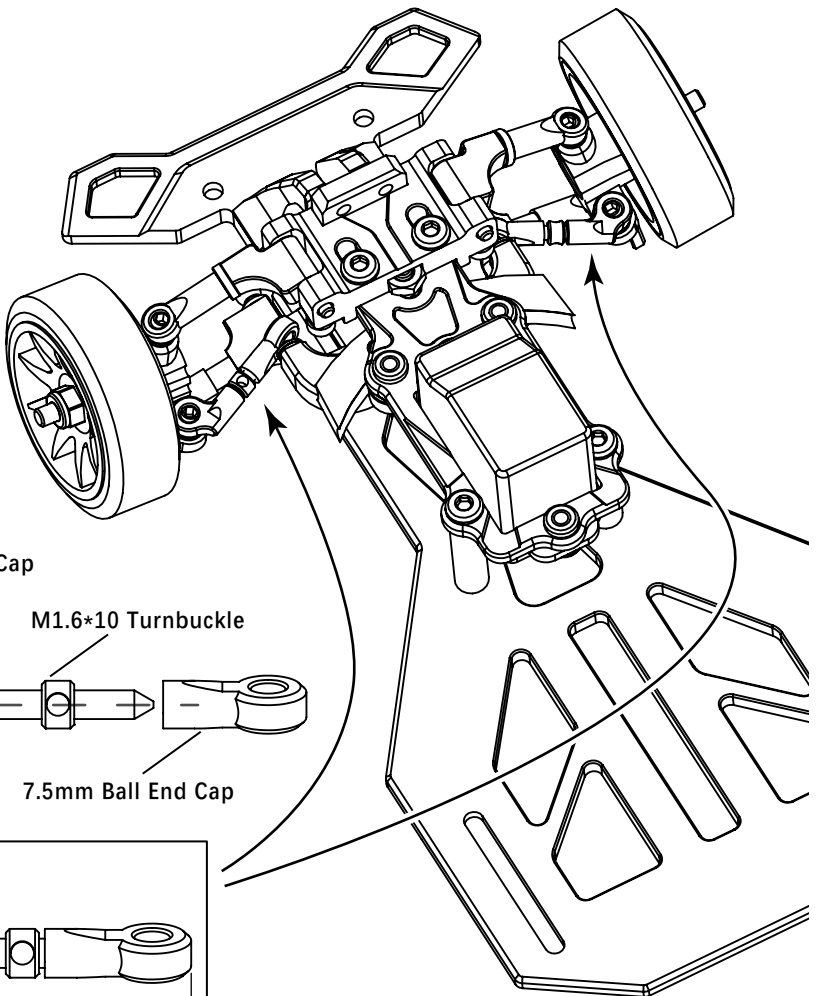
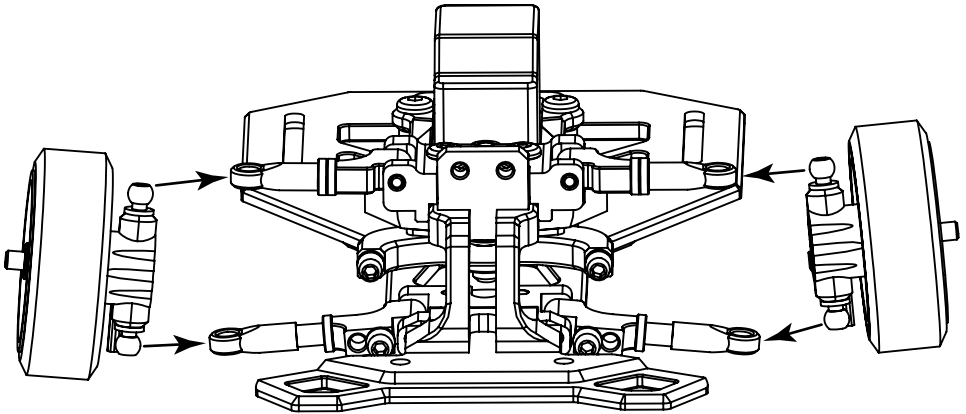
M1.6*10 Turnbuckle x 2



7.5mm Ball End Cap x 2



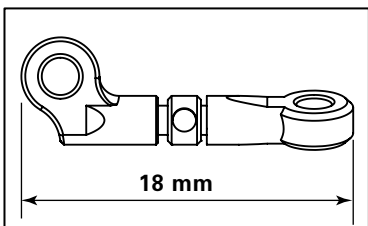
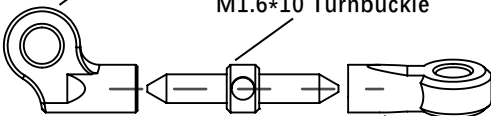
60° Ball End Cap x 2






60° Ball End Cap

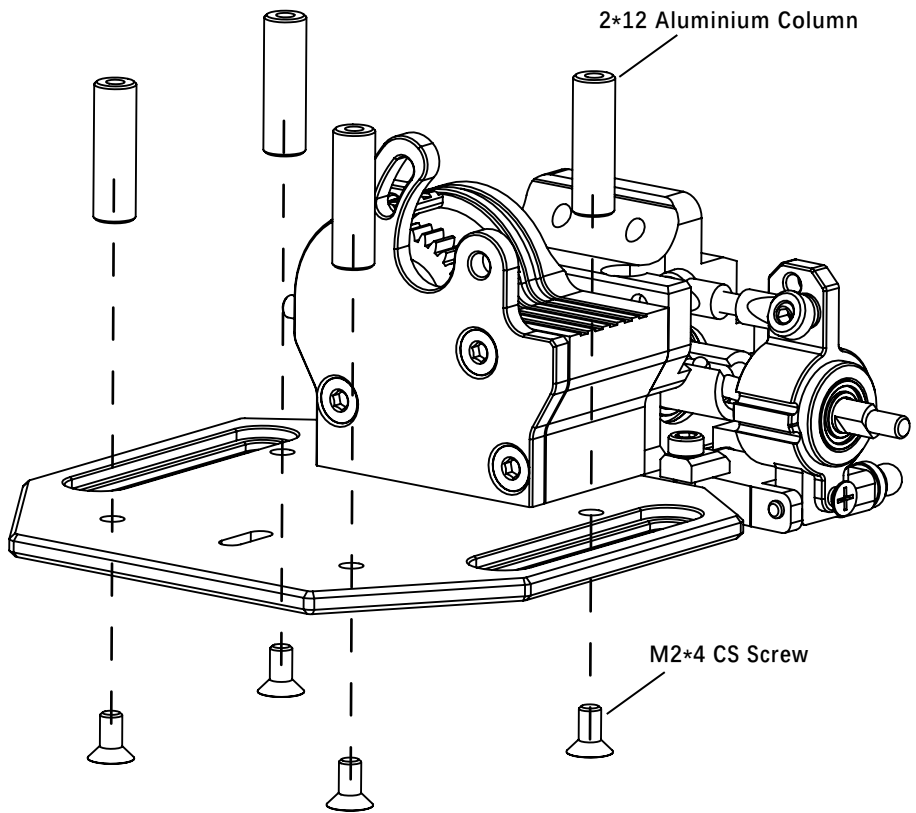
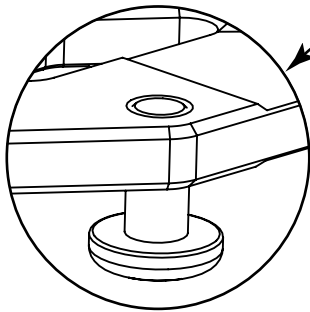
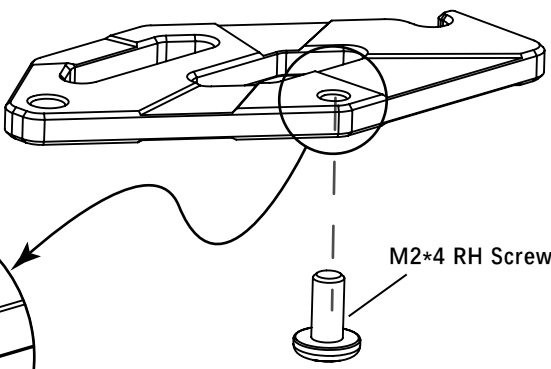
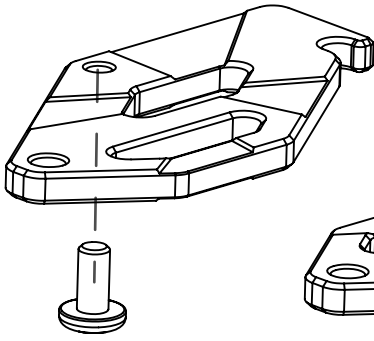
M1.6*10 Turnbuckle

7.5mm Ball End Cap



18 mm

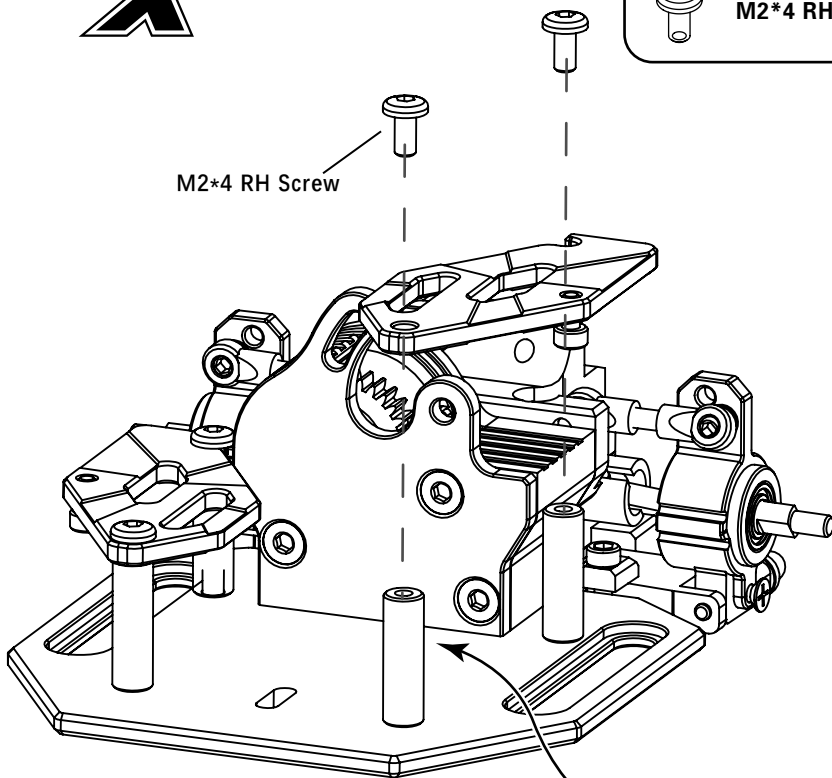
-  2*12 Aluminium Column x 4
-  M2*4 RH Screw x 2
-  M2*4 CS Screw x 4



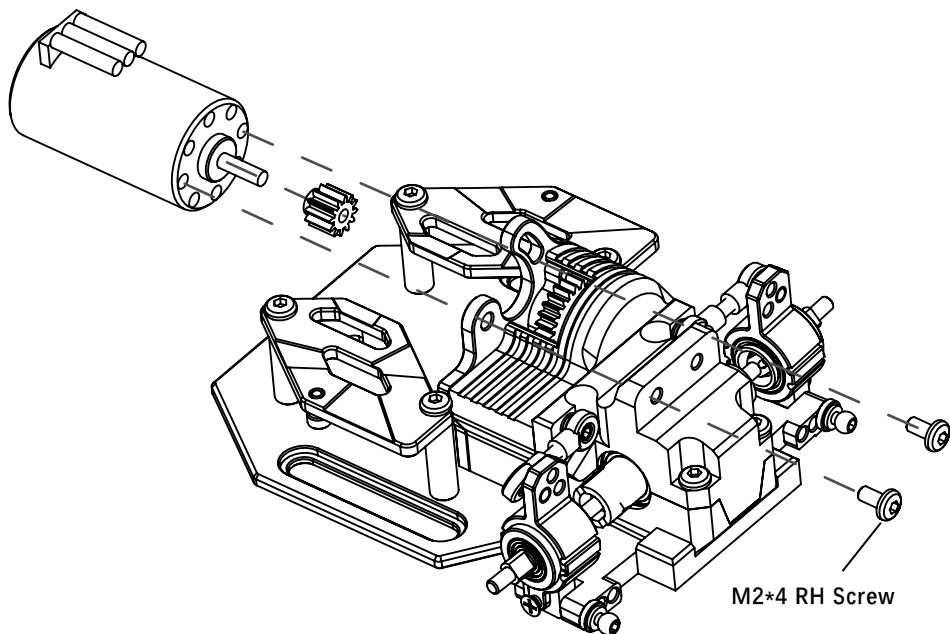


M2*4 RH Screw x 6

M2*4 RH Screw



The size of the battery suitable for battery mount : 42*24*12mm



M2*4 RH Screw

Make sure the gap between the spur and pinion are correct.



M2*6 RH Screw x 4



2.75*5 Rod End Ball x 2



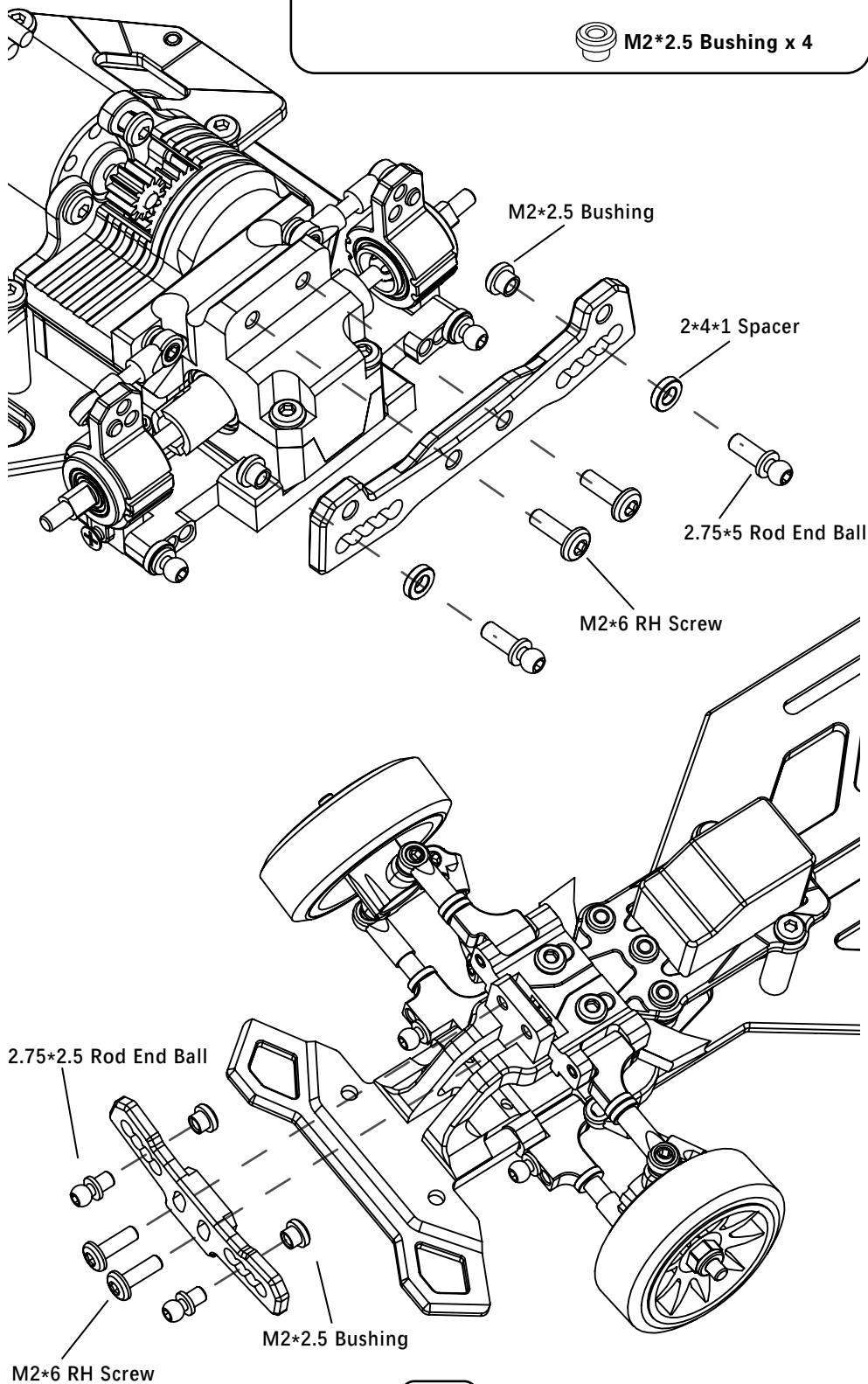
2*4*1 Spacer x 4



2.75*2.5 Rod End Ball x 2



M2*2.5 Bushing x 4

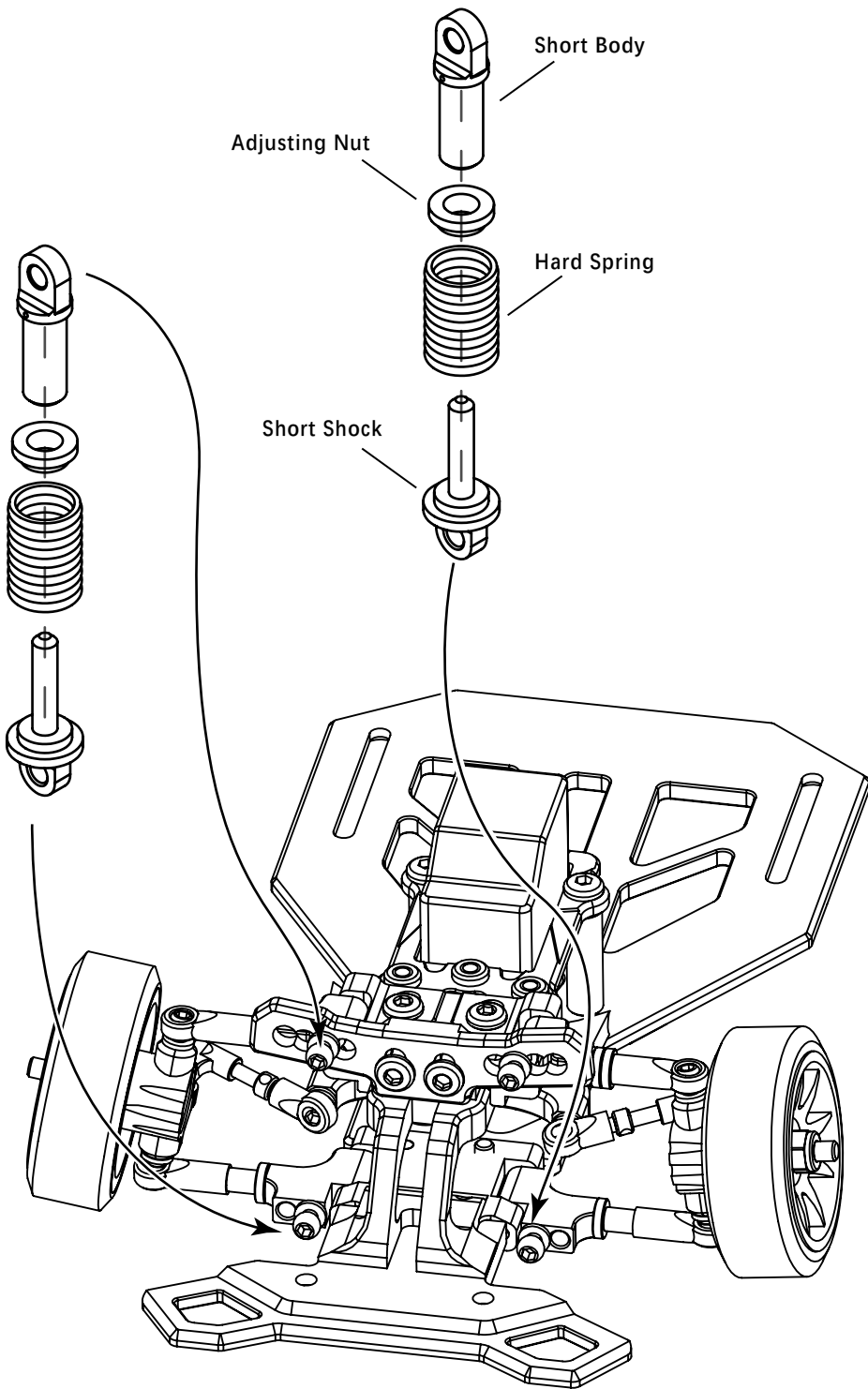


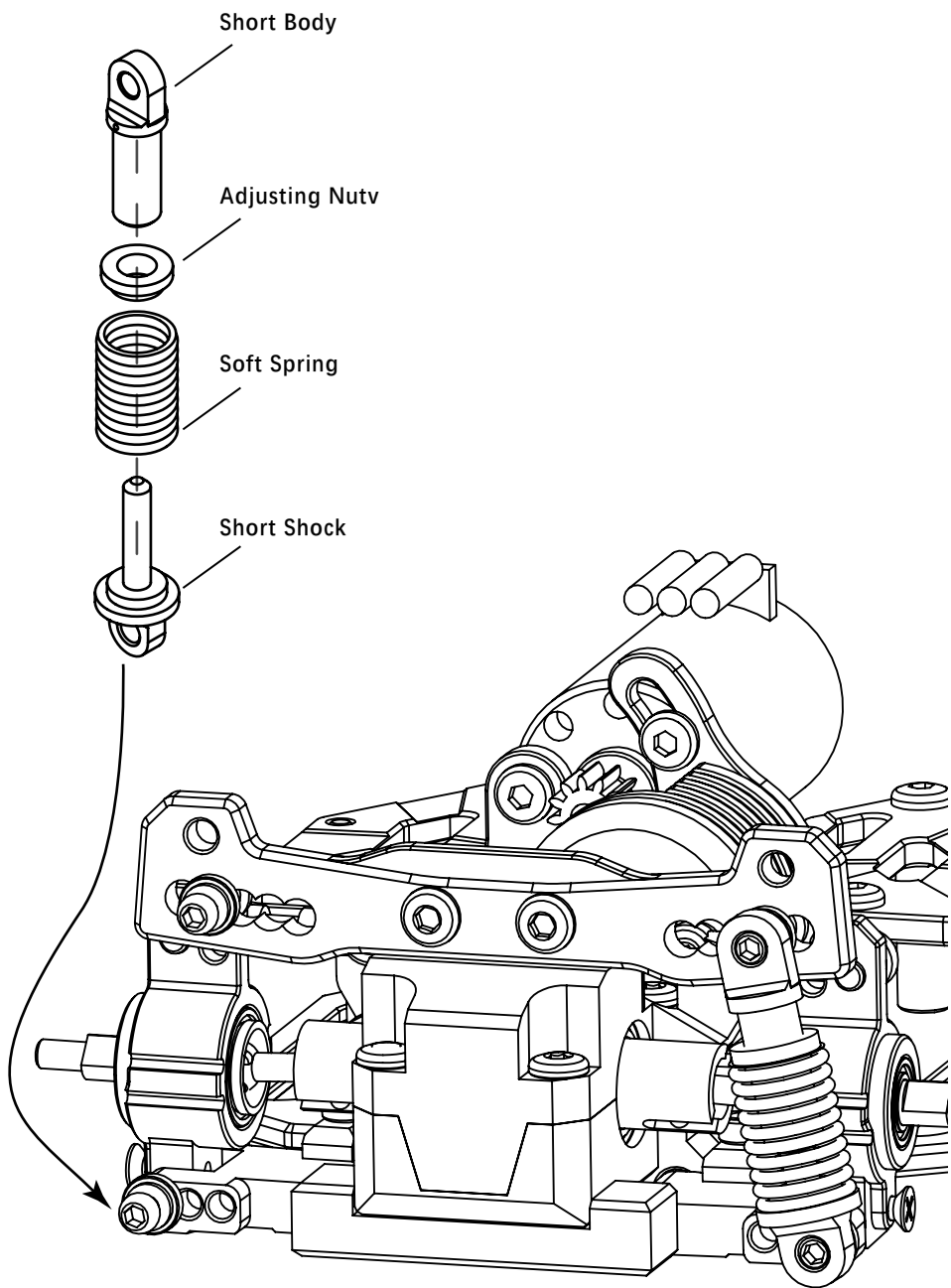
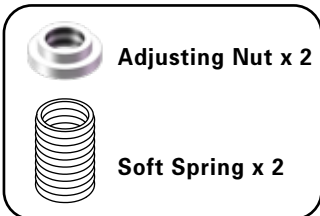


Adjusting Nut x 2



Hard Spring x 2







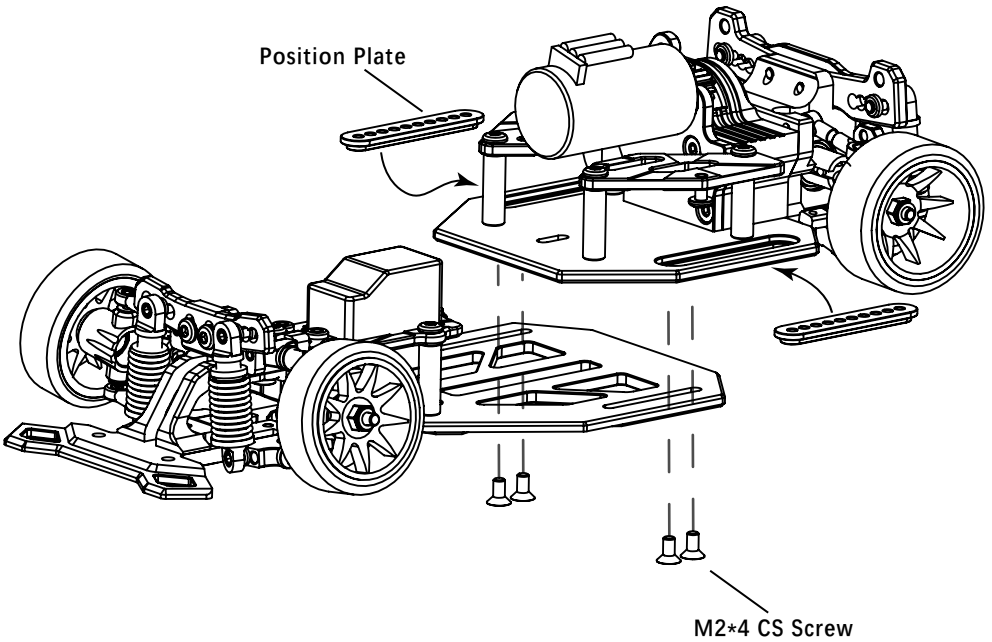
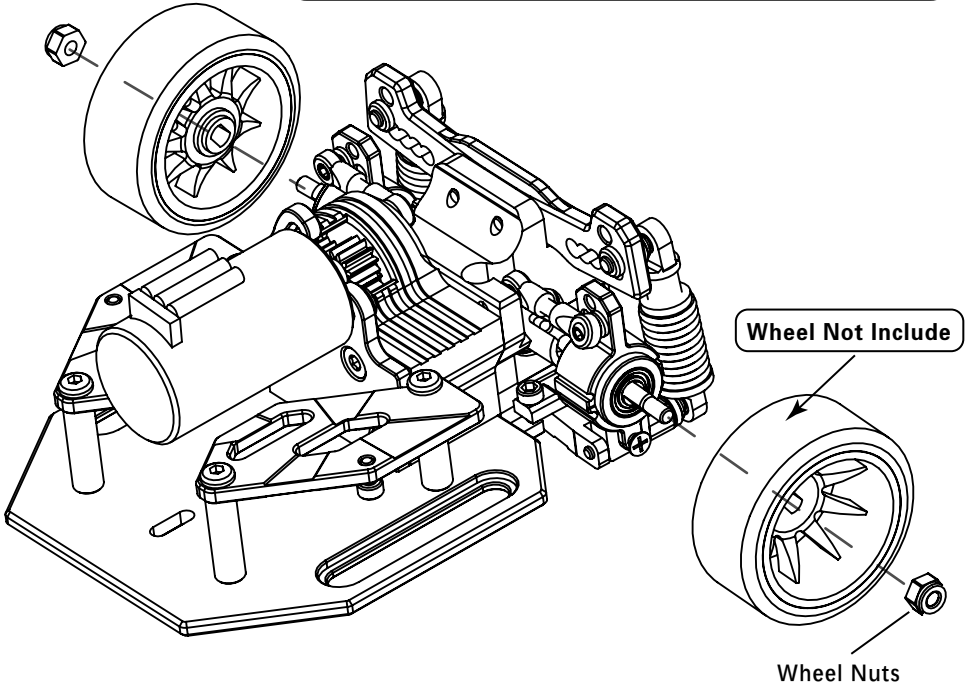
Position Plate x 2

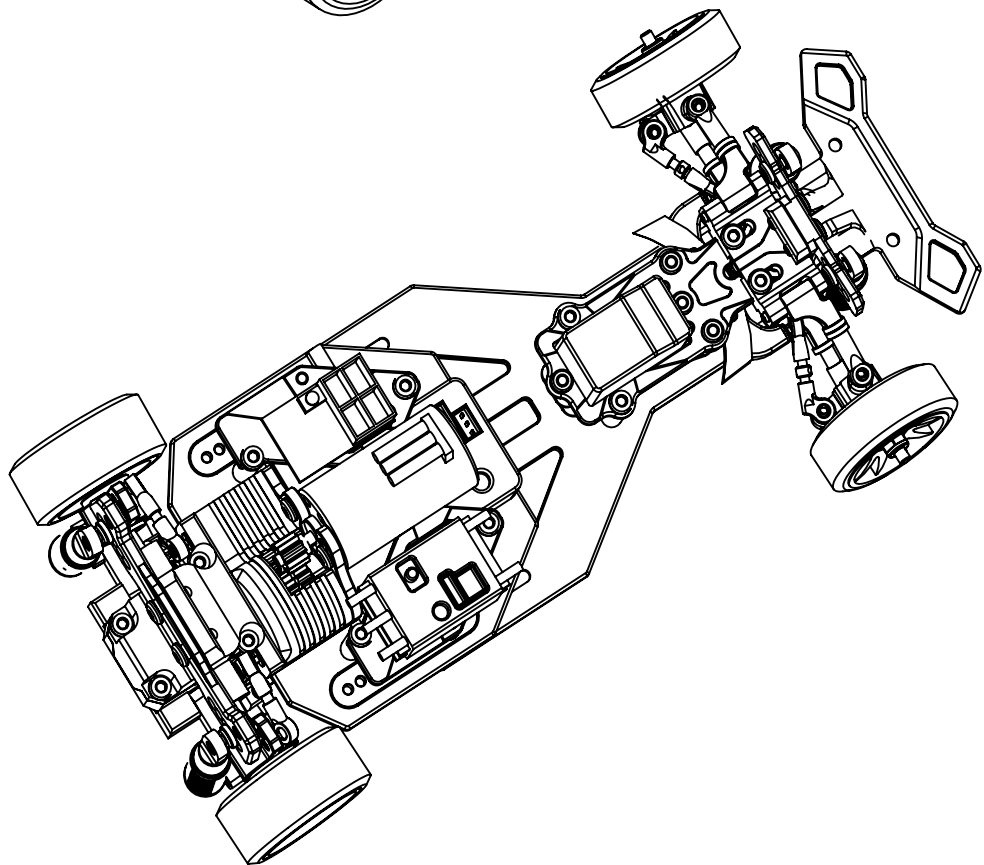
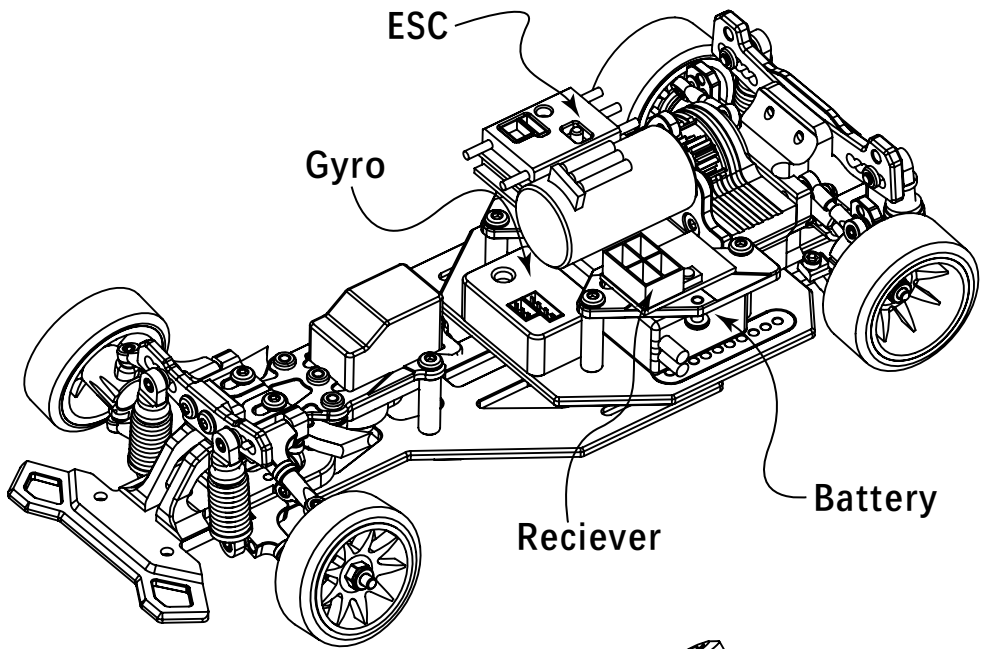


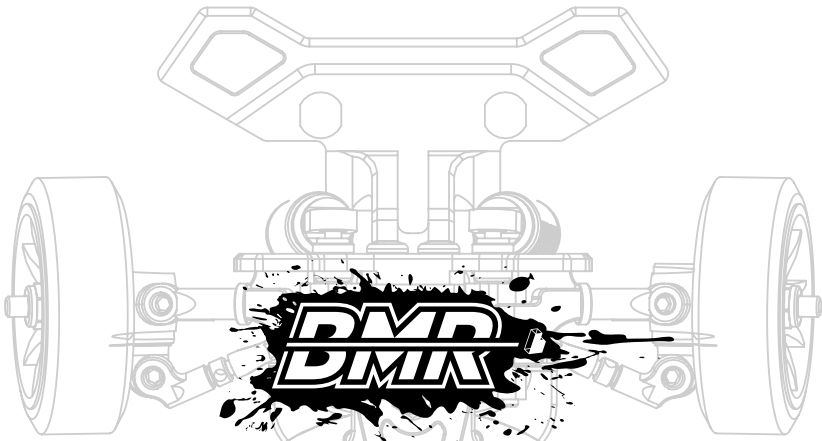
M2*4 CS Screw x 4



Wheel Nuts x 2







Building Master Technology (Foshan) Co., LTD

<http://www.bmracing.cc>

<https://www.facebook.com/BM.Racing.Model/>

Made in China

BMR
PRO

